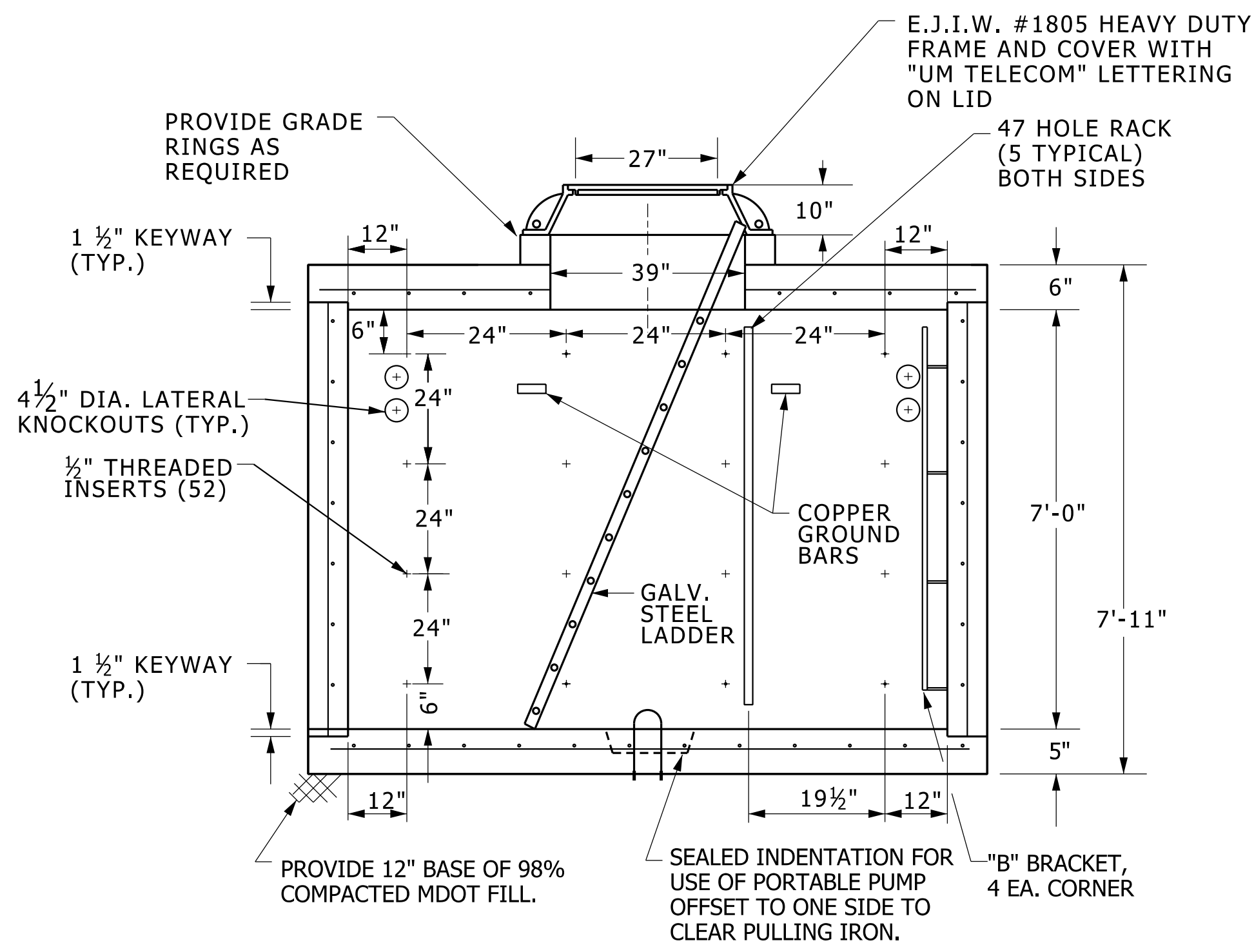


PLAN VIEW

|                                   |                                      |    |
|-----------------------------------|--------------------------------------|----|
| CONCRETE: 4500 P.S.I. @ 28 DAYS   | PROVIDE HARDWARE PACKAGE             |    |
| REINF: H-20 HIGHWAY LOADING       | "S" BRACKETS                         | 12 |
| GRADE 60 REBAR                    | "B" BRACKETS                         | 12 |
| SPREAD BARS @ ALL OPENINGS        | 47 HOLE RACKS                        | 10 |
| WALLS: #5 BAR @ 12" O.C. EACH WAY | 1/2" x 13 x 1 1/4" BOLTS             | 24 |
| ROOF AND FLOOR:                   | 1/2" x 13 NUTS                       | 24 |
| #5 BAR @ 12" O.C. LONGITUDINAL    | 1/2" x 13 x 1 3/4" BOLTS             | 52 |
| #7 BAR @ 12" O.C. TRANSVERSE      | 8'-9" HOOKED LADDER (CONFIRM LENGTH) | 1  |
|                                   | STEP                                 | 1  |
|                                   | 1" DIA. BUTYL RUBBER ROPE MASTICS    |    |
|                                   | PROVIDED TO INSURE WATERTIGHT SEALS. |    |

(4) EXTRA #5 DIAGONAL BARS @ ROOF OPENING



SECTION A-A

- GENERAL NOTES:
1. INSTALL ONE PULLING IRON IN EACH WALL OPPOSITE EACH PRESENT & FUTURE DUCT RUN OUT OF MANHOLE, ALSO ON FLOOR CENTERED UNDER COVER
  2. SEE DUCT PLAN DRAWING SHOWING PLANNED & FUTURE DUCT ENTRANCES. ON CURRENTLY PLANNED DUCTS, PROVIDE OPENING SIZED & CONSTRUCTED AS NOTED IN DETAIL 16110015. ON FUTURE DUCT RUNS, PROVIDE KNOCKOUTS SIZED AS NOTED FOR MAXIMUM OF 8 DUCTS.
  3. DUCT BANKS SHALL ONLY ENTER MANHOLE ON SHORT (4'-0") SIDES OF MANHOLE.
  4. BELL ENDS ARE NOT REQUIRED.

## 8' x 6' x 7' PRE-CAST TELECOMMUNICATIONS MANHOLE