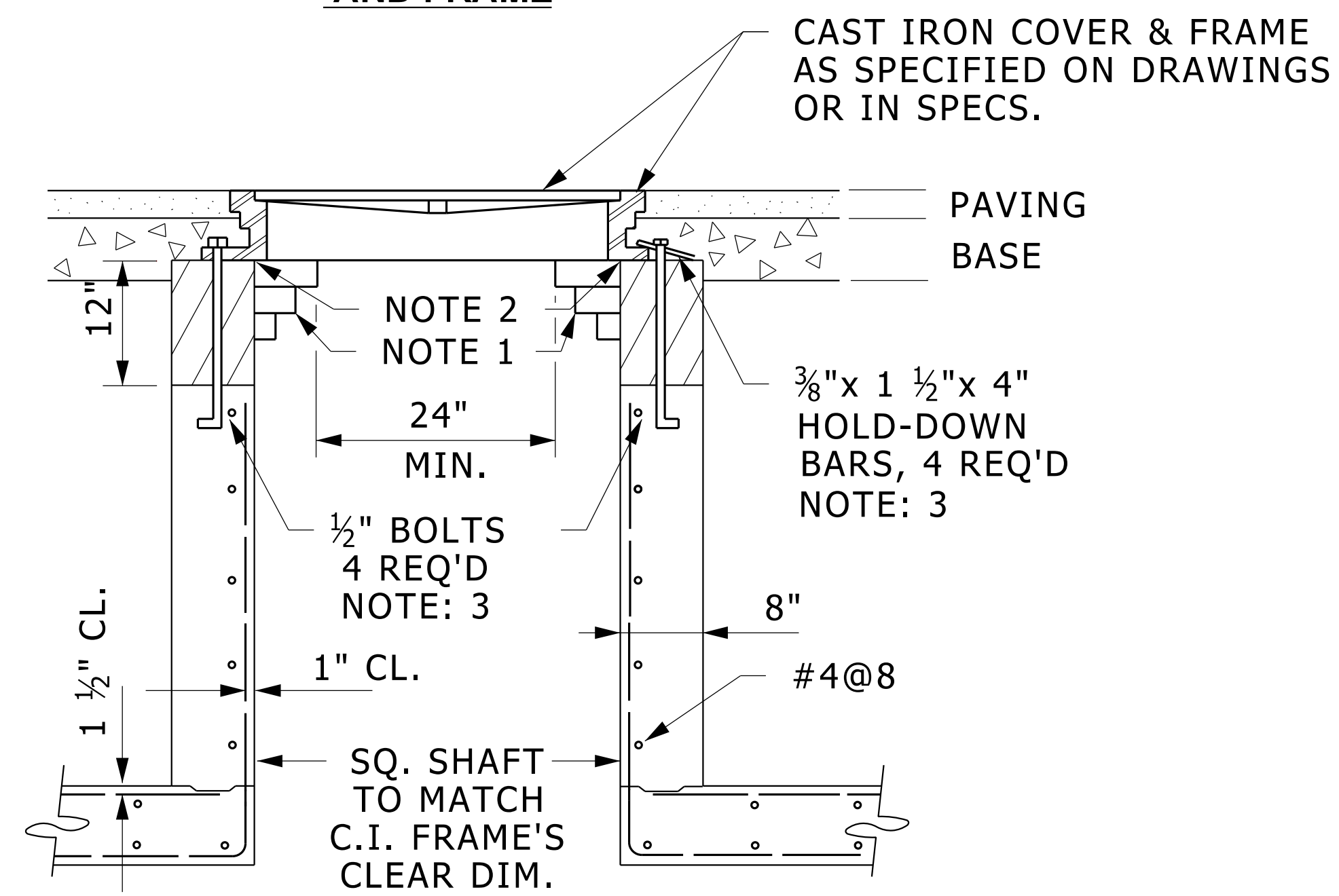


**ROUND COVER  
AND FRAME**



**SECTION A-A  
IN STREET**

**NOTES:**

1. CORBLE, THREE COURSES, AT CORNERS WHEN USING ROUND COVER IN STREET.
2. WATERPROOF SEAL REQUIRED.
3. EITHER DIRECT BOLTING OR BOLTING WITH HOLD-DOWN BARS ARE ACCEPTABLE ALTERNATES.

**NECK AND COVER DETAILS  
FOR CAST-IN PLACE MANHOLES**

NO SCALE