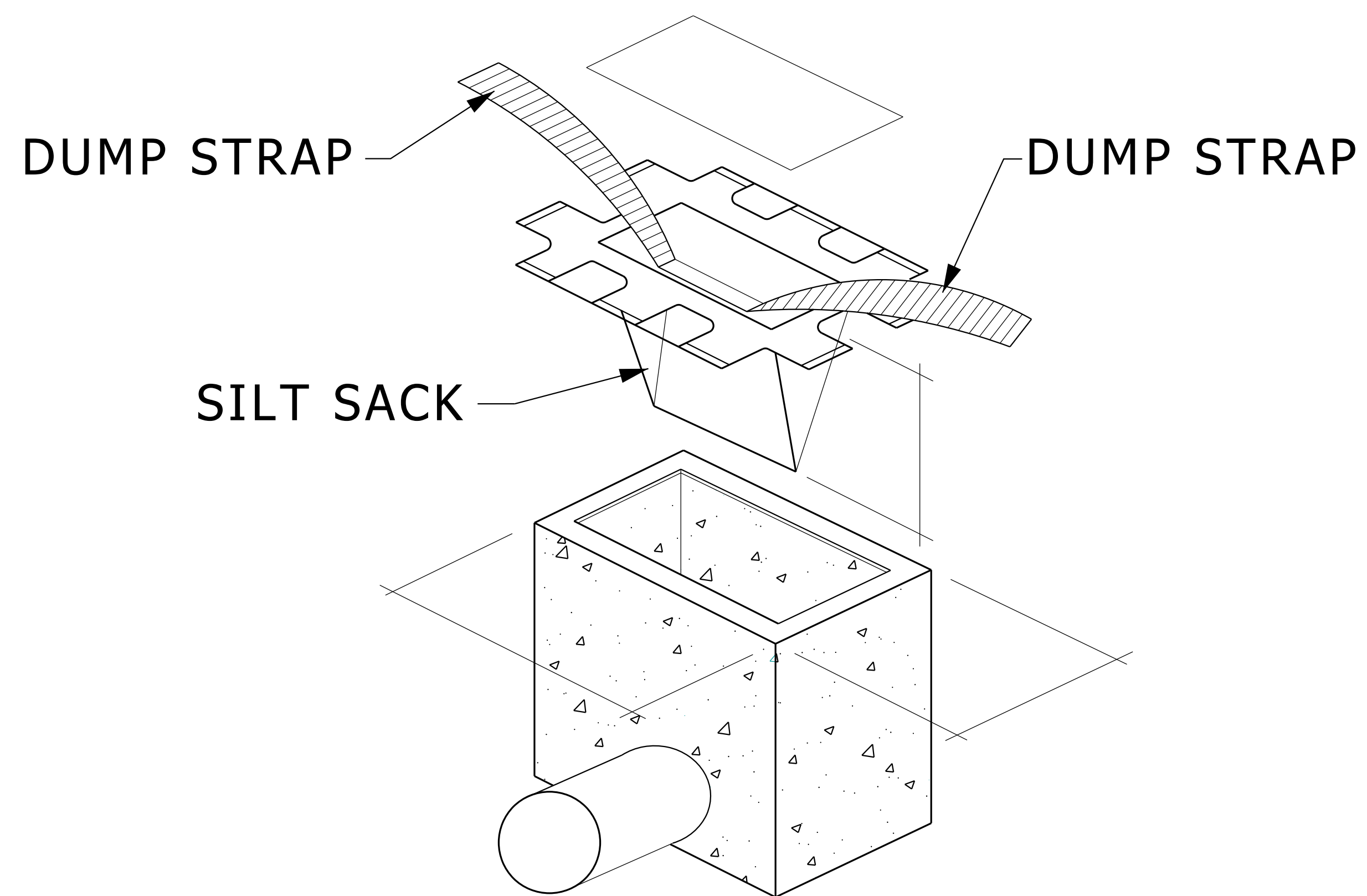
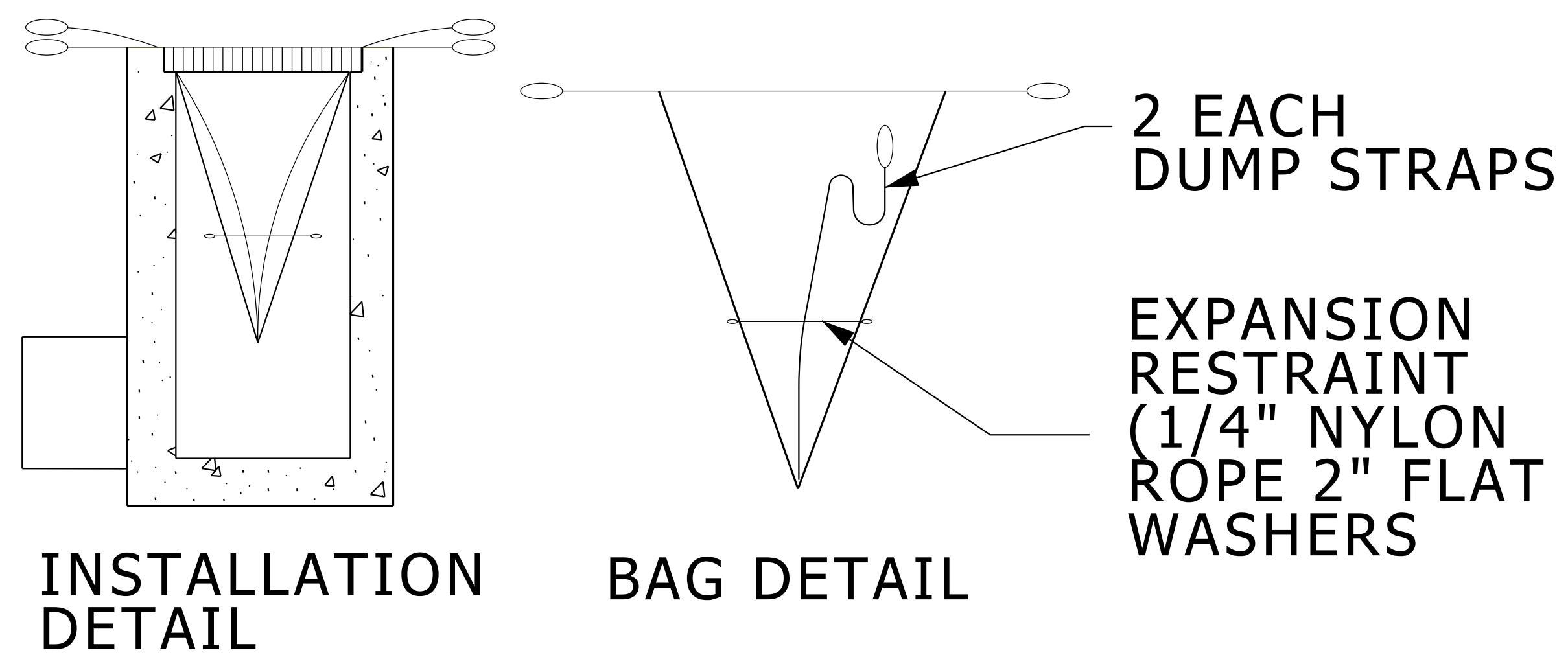


TEMPORARY INLET
SEDIMENT FILTER

NOTE:
TEMPORARY INLET SEDIMENT FILTER TO BE
INSTALLED ON ALL PAVED CATCH BASINS OR
STORM INLETS. INLET FILTER TO BE SIMILAR
TO "STREAMGUARD" AS MANUFACTURED BY
STORMWATER SERVICES CORPORATION
(206-767-0441) OR "SILTSACK" AS
MANUFACTURED BY ATLANTIC CONSTRUCTION
FABRICS, INC. (800-448-3636).
CLEAN FILTER AS NEEDED.



INLET FILTER SACK

NO SCALE

SD-SESC-INLET_FIL