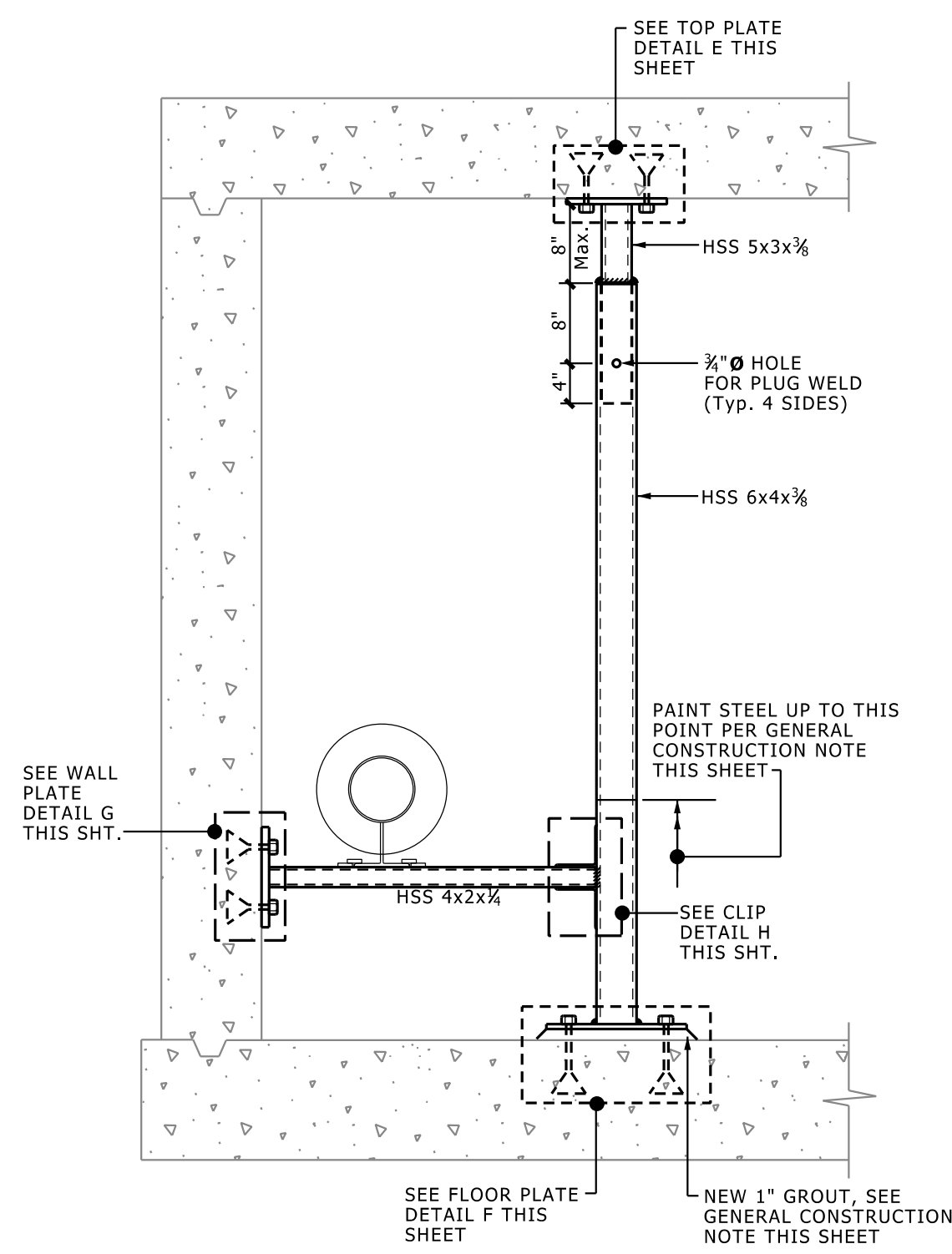
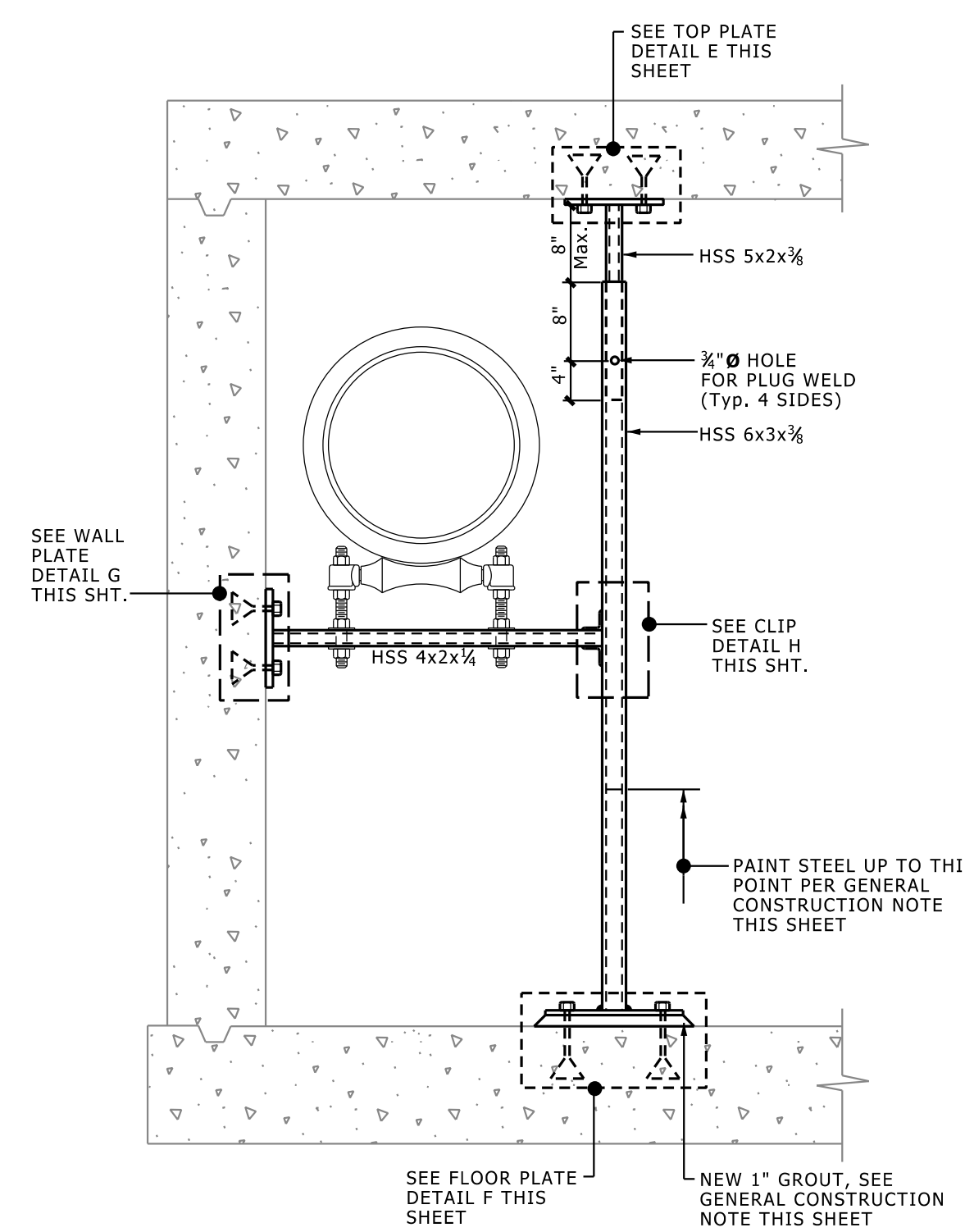


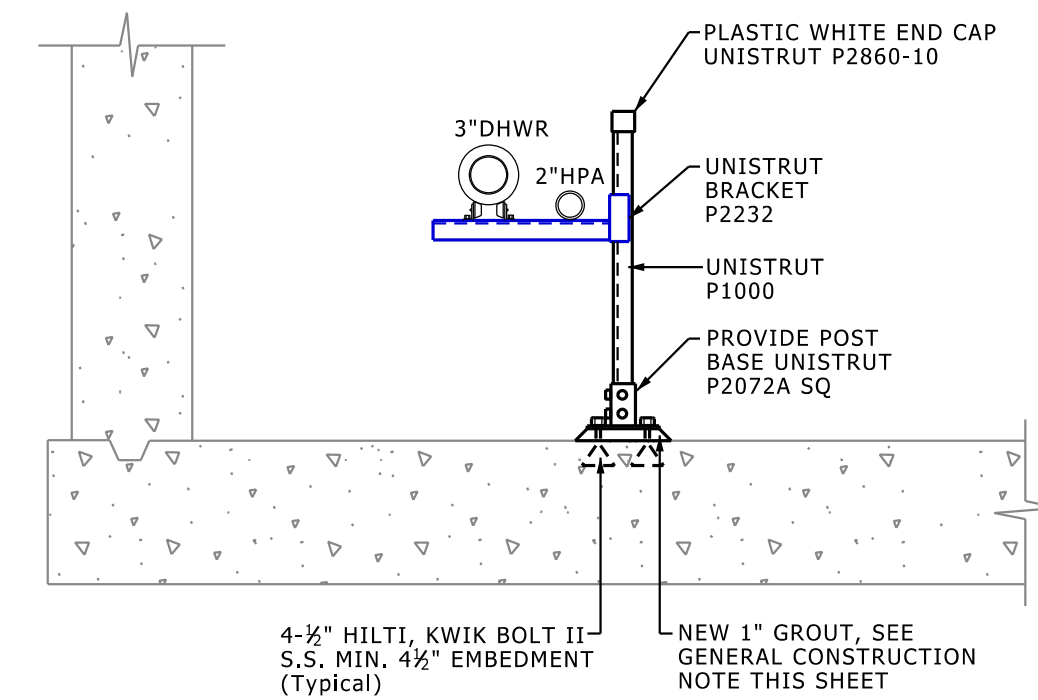
1 14\"/>



2 12\"/>



3 ROLLER & SLIDE STEEL SUPPORT



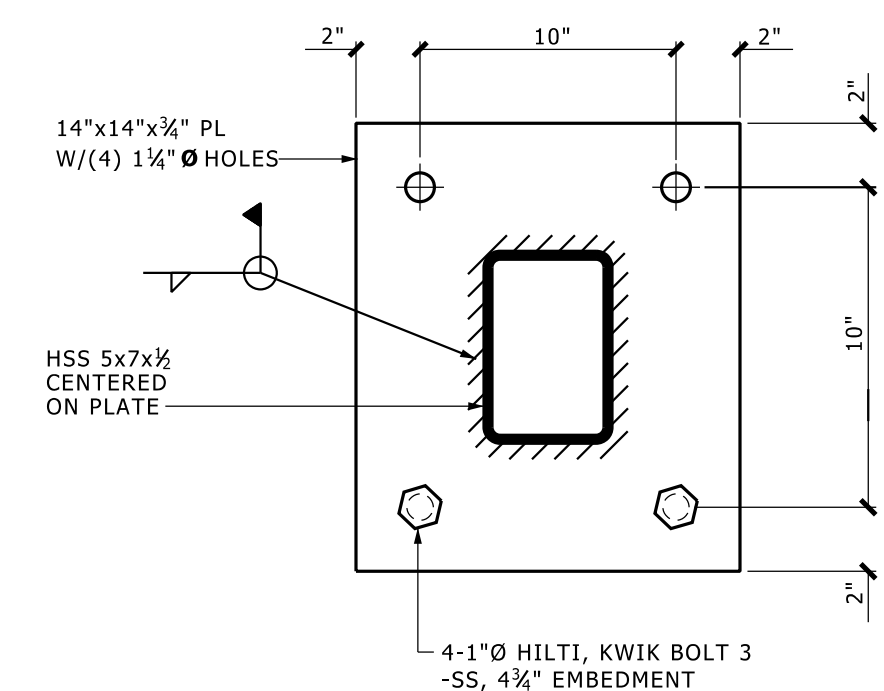
4 3\"/>

General Construction Note

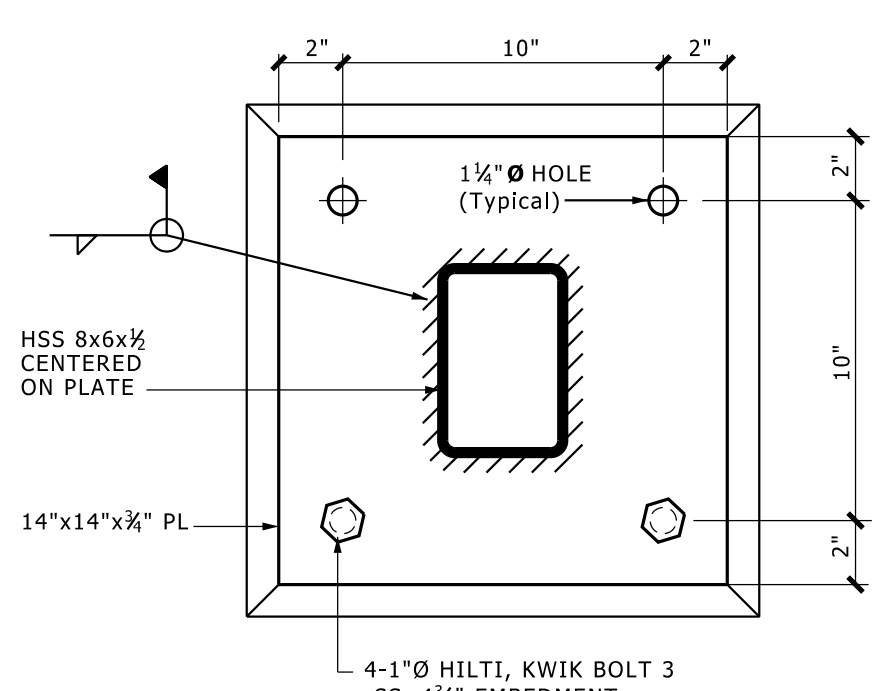
ROUGHEN CONCRETE AND APPLY BONDING AGENT BEFORE PLACING A NON-SHRINK METALLIC GROUT BASE, MIN. 1\"/>

Note to Designers:

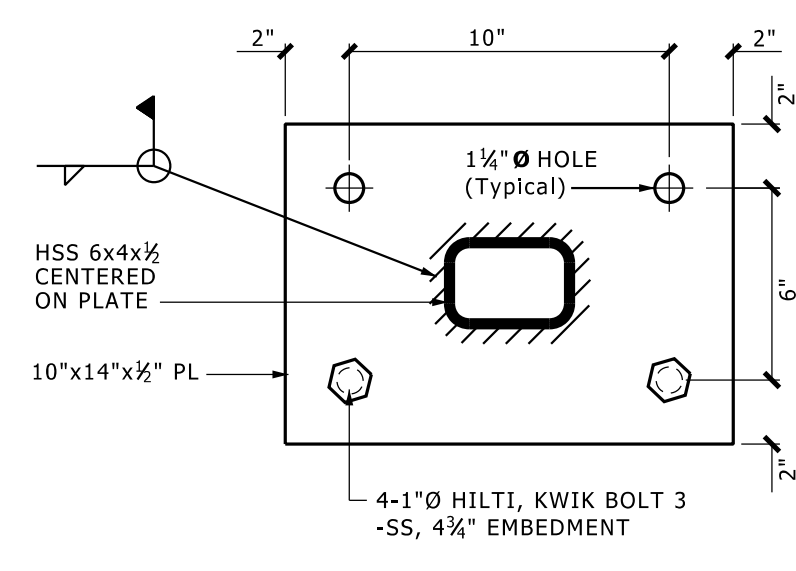
- (1) PREFERRED STEEL SUPPORT DETAILS FOR EXISTING AND NEW TUNNELS ARE SHOWN IN THIS SHEET. (2) DETAILS NOT INTENDED AS FINALIZED DESIGN. INTENT IS TO SHOW PREFERENCES IN CONSTRUCTION AND REQUIRED DEPTH OF DETAILS TO BE PROVIDED IN BID DOCUMENTS. DESIGN ENGINEER SHALL DETERMINE APPROPRIATE APPLICATION AND ADEQUACY.



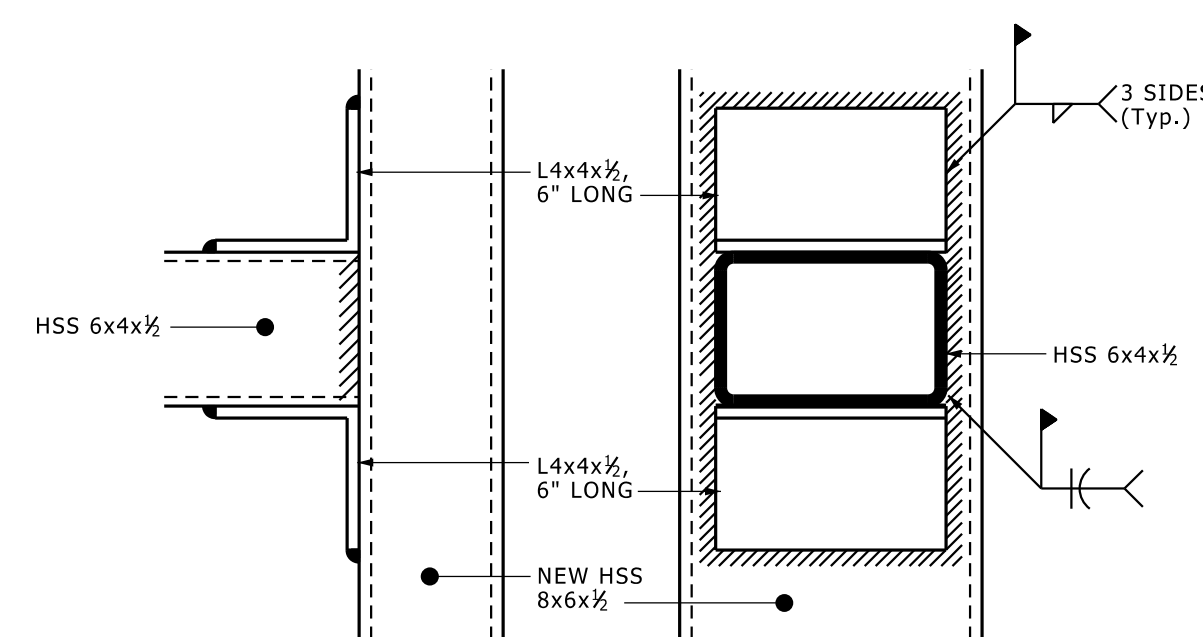
A TOP PLATE DETAIL NO SCALE



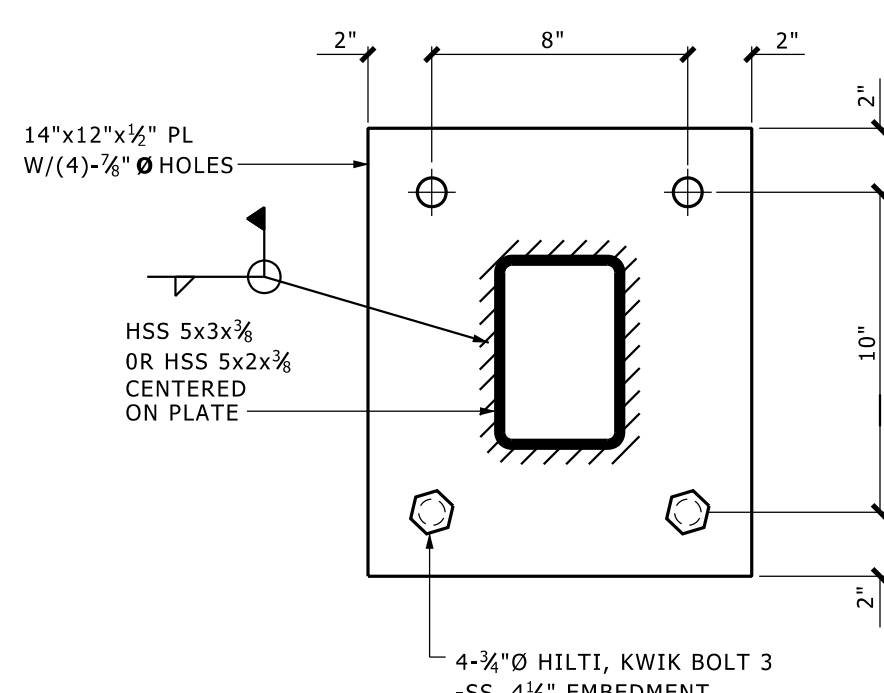
B FLOOR PLATE DETAIL NO SCALE



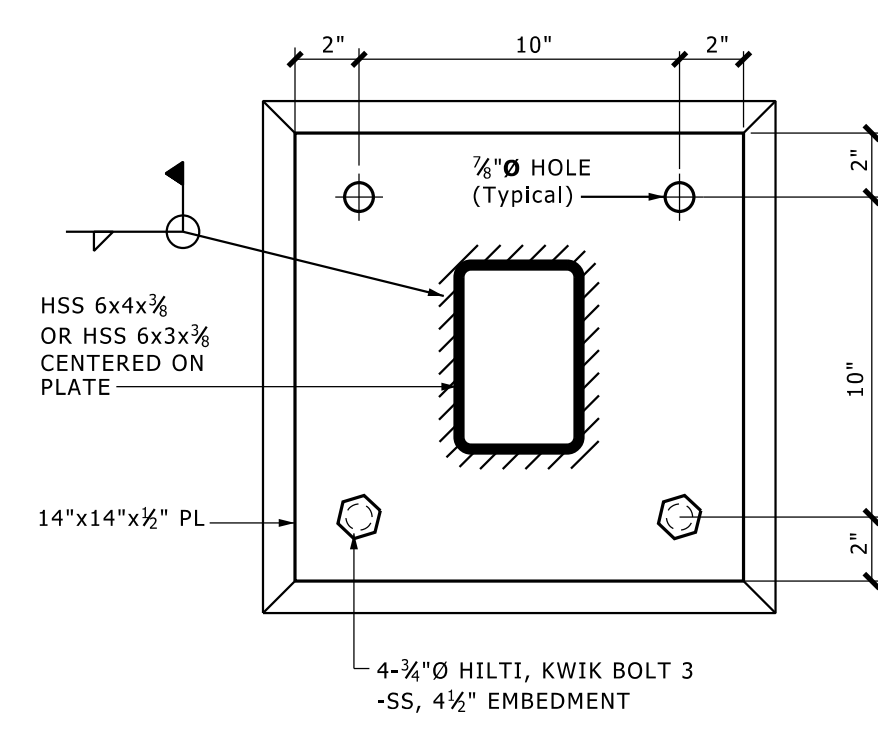
C WALL PLATE DETAIL NO SCALE



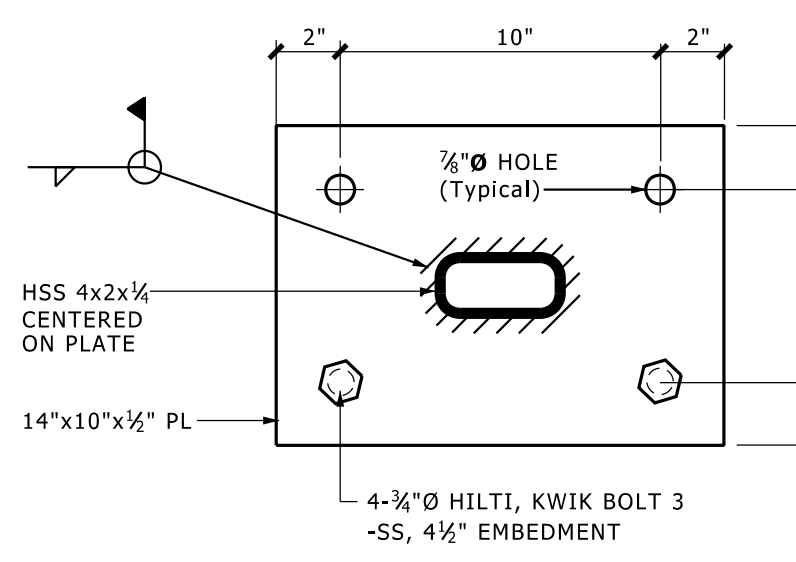
D CLIP DETAIL NO SCALE



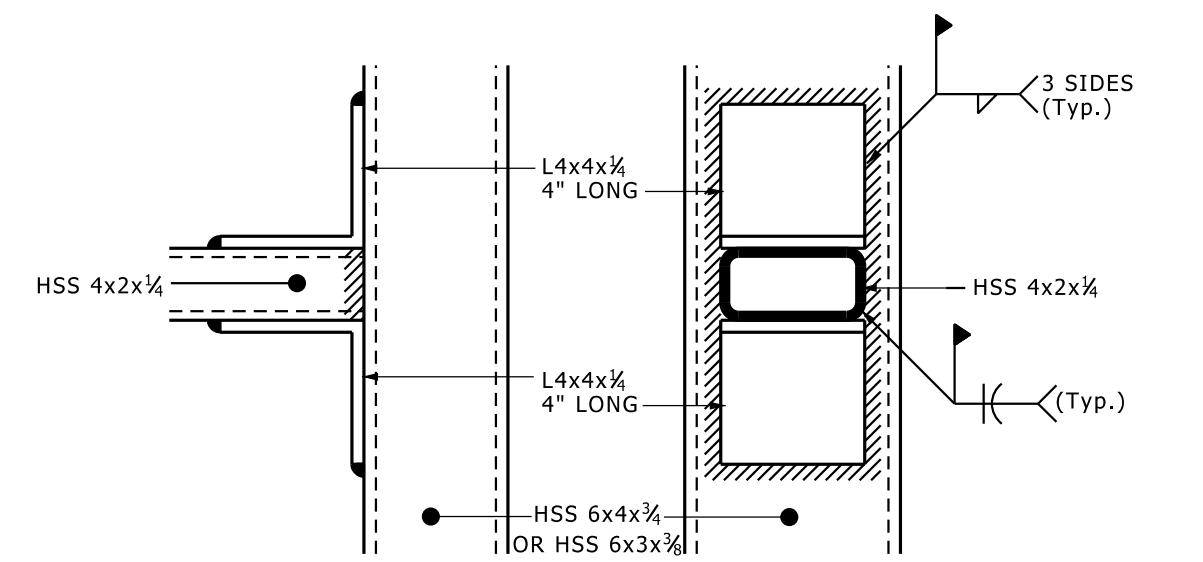
E TOP PLATE DETAIL NO SCALE



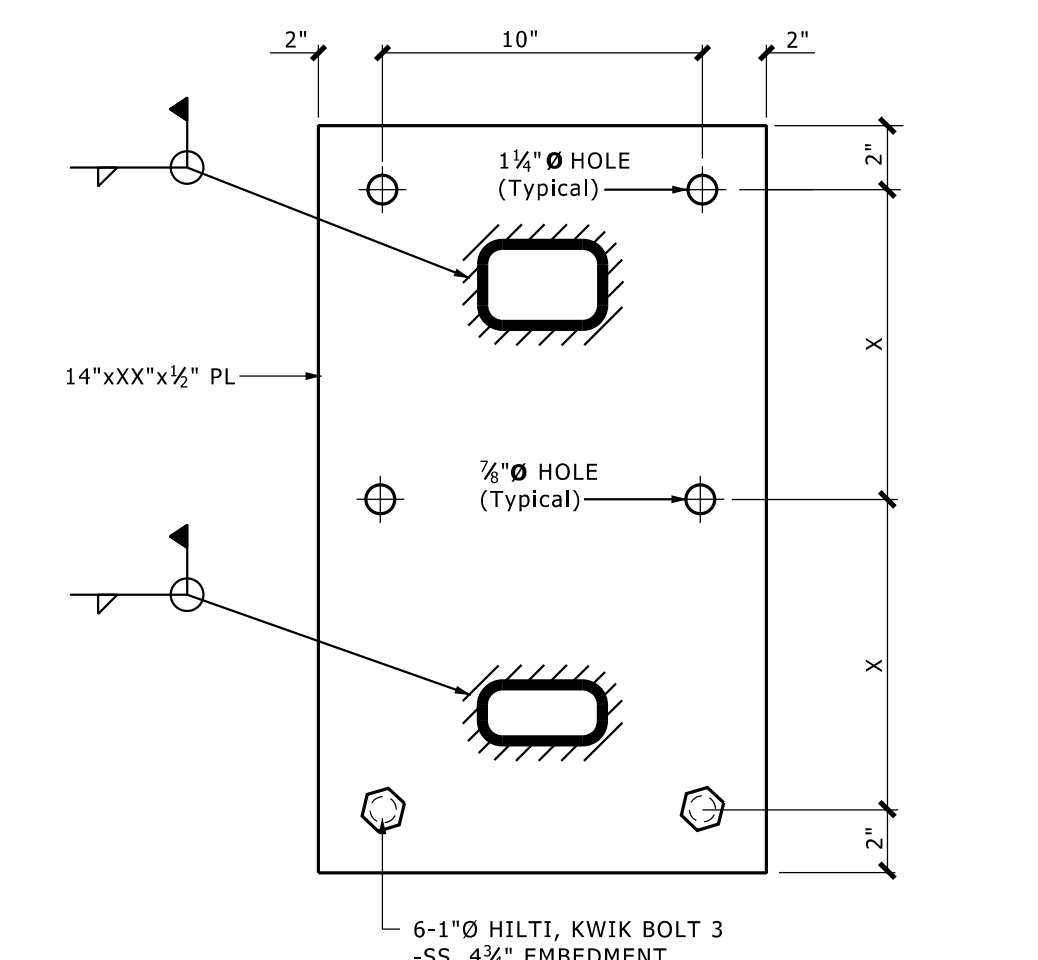
F FLOOR PLATE DETAIL NO SCALE



G WALL PLATE DETAIL NO SCALE



H CLIP DETAIL NO SCALE



J WALL PLATE DETAIL NO SCALE

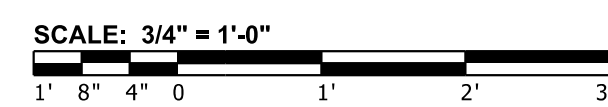


Table with project information: Tom Girard (U of M Design Supervisor), Approved by AEC - Architecture & Engineering, Drawn by AF/BB, WPG, Project Lead, CWV/VSM, Reviewed by.

Table with revision history: New Master (03/20/15), Tunnel Group Revision (08/07/12), New Master (07/31/12), New Master (06/28/06), Issued for Review (06/22/06).

Tunnels

Tool Kit

University Of Michigan Ann Arbor, MI

P00009388 9980 U OF M PROJECT NO. BUILDING NO.

SHEET TITLE Tunnels

Typical Sections and Details for Steel Supports New Construction

SHEET NO. TK-3

SHEET NO. 4 OF 13 SHEET FILE NO. TK3 04 15.dgn